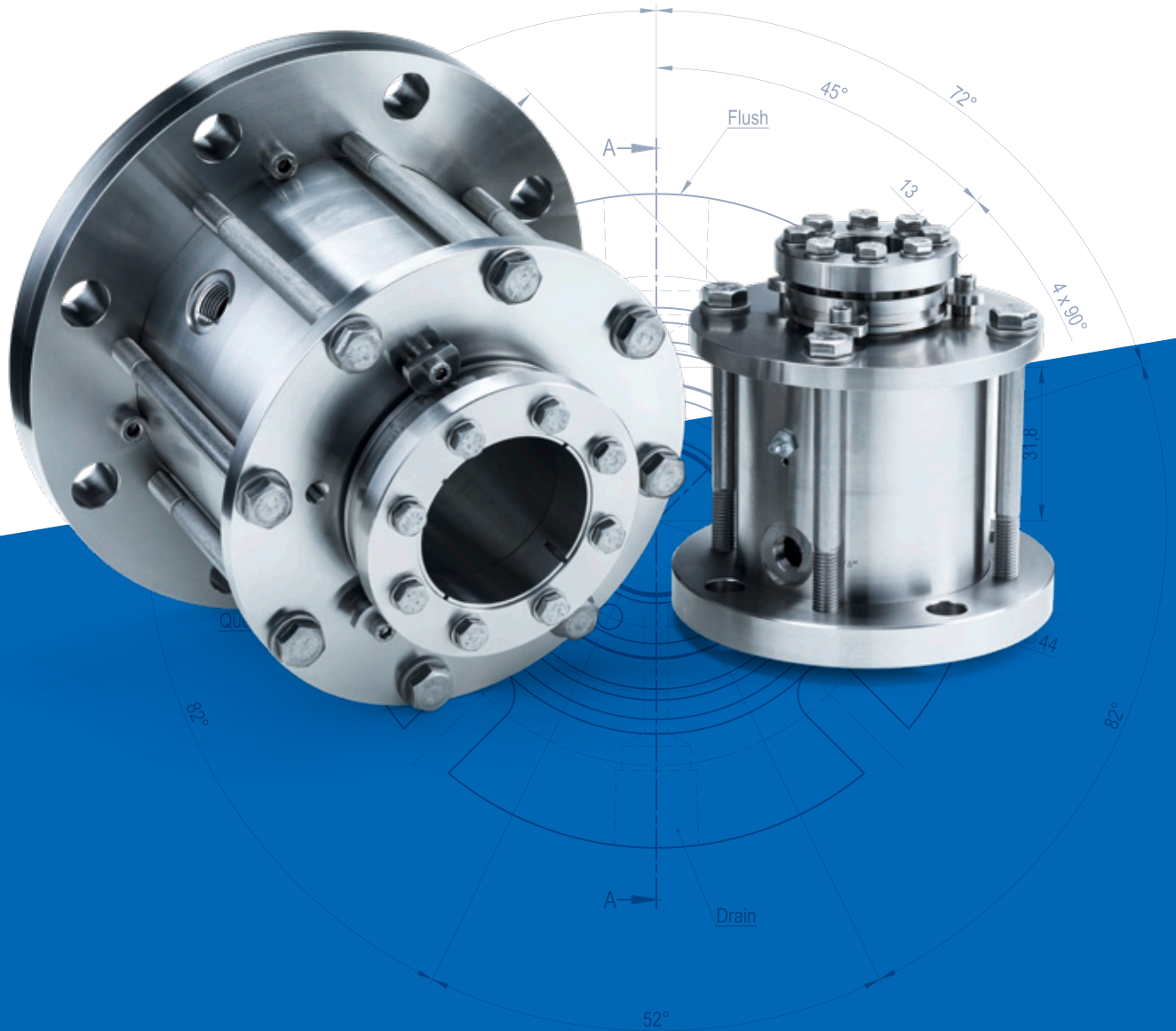




Types: 370, 371,
372, 373



Agitator seals

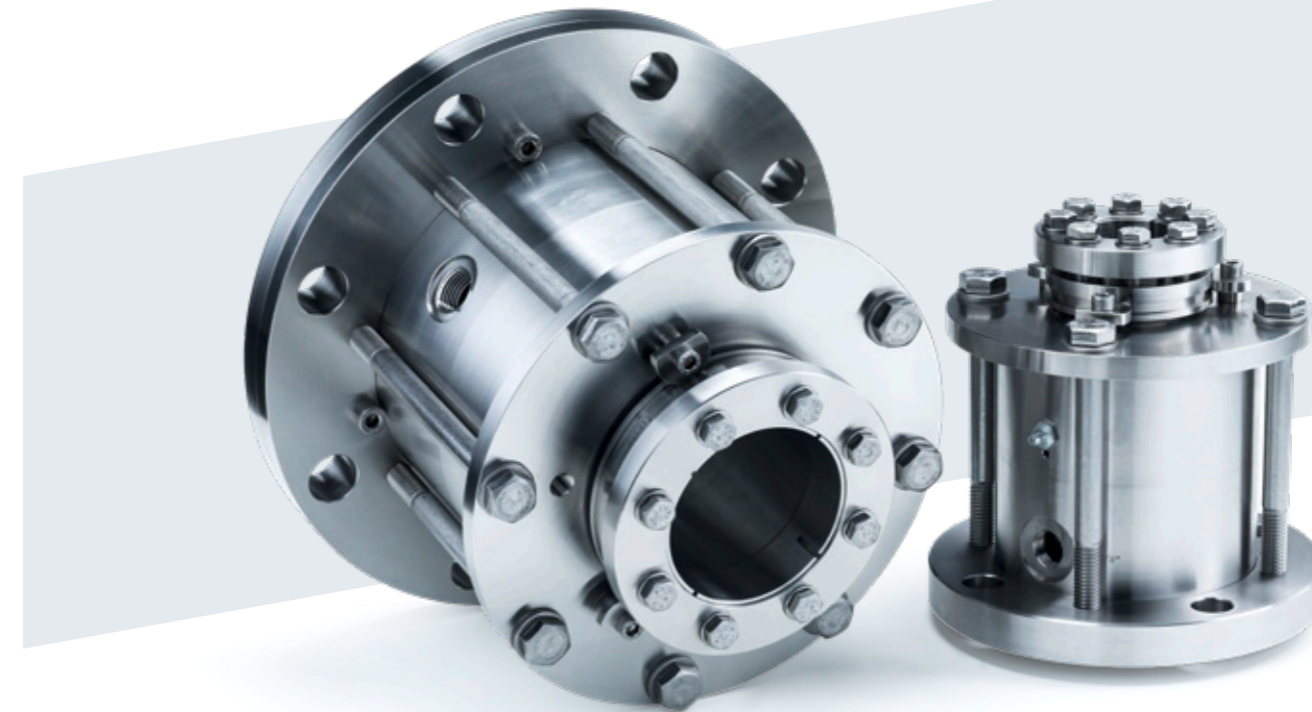


Table of contents

Type 370	S. 3-6
Type 371	S. 7-10
Type 372	S. 11-14
Type 373	S. 15-18

The DEPAC mechanical seal type 370 is a stationary, double-action and cartridge-mounted agitator seal with integrated self-aligning roller bearing. The connection dimension of the mounting flange corresponds to DIN 28141; the sleeve of the mechanical seal corresponds to the shaft end of the DIN 28154. With regard to the dimensions, please note that the type 370 can be manufactured and supplied not only for the DIN dimensions named, but also for any other retainer and shaft size. This mechanical seal is part of a modular system and is also available as a single-action mechanical seal with integrated bearing (type 371), as a double-action mechanical seal without bearing (type 372) and as a single-action mechanical seal without bearing (type 373).

Advantages

- Mounting flange connection dimension according to DIN 28141*
- Sleeve to fit shaft end according to DIN 28154*
- Shock and vibration-dampend mating rings
- Double pressure balanced
- Full pressure reversability
- Self-closing in case of pressure reversal
- Mirror-image face design
- Independent of the direction of rotation

* Other mounting flange dimensions | shaft shape available on request!

Agitator seal Type 370

Agitator seal Type 370

Technical specifications

Area of application*

Pressure: 700 mmHg bis 28 bar
 Temperature: Dependent on elastomer
 Sliding speed: up to 20 m/s

* The maximum specifications for temperature, pressure and sliding speed apply in each case to independent higher operating conditions. However, this does not mean that the seal will function with all extreme conditions at the same time. If in doubt contact DEPAC.

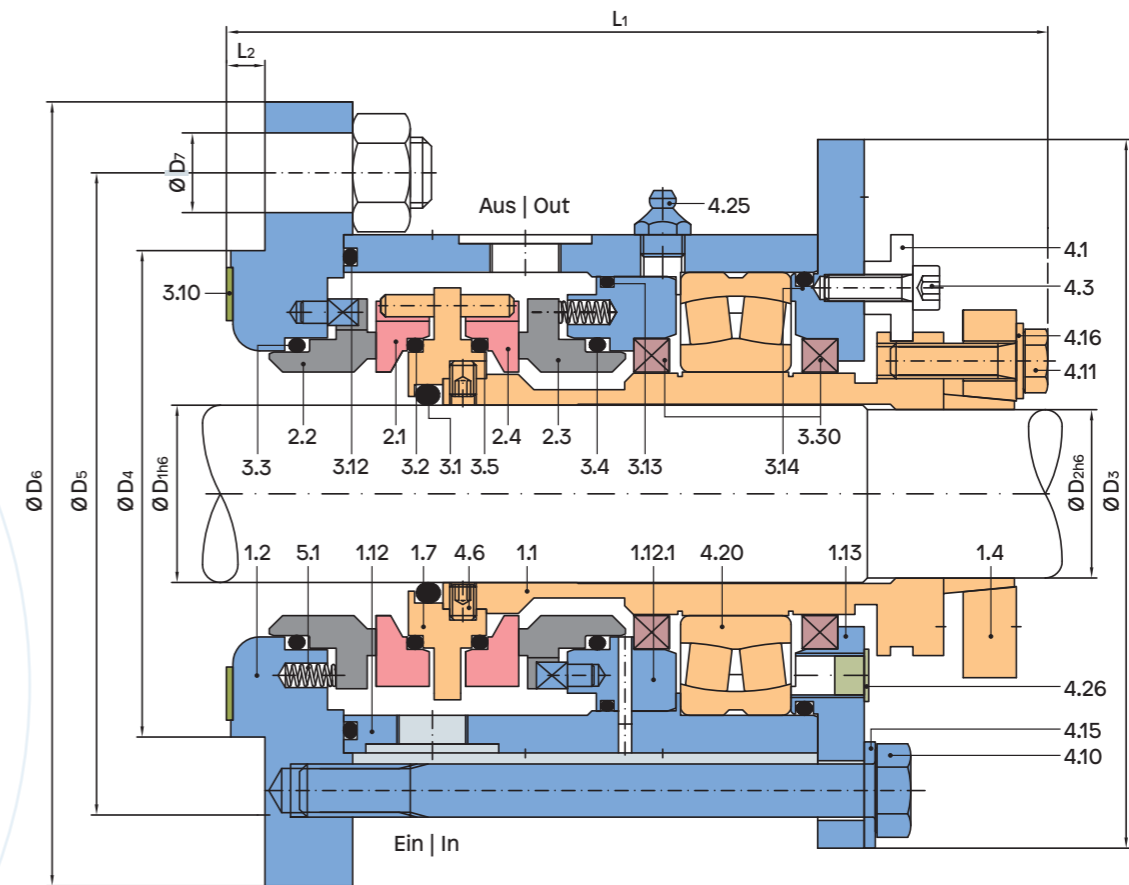
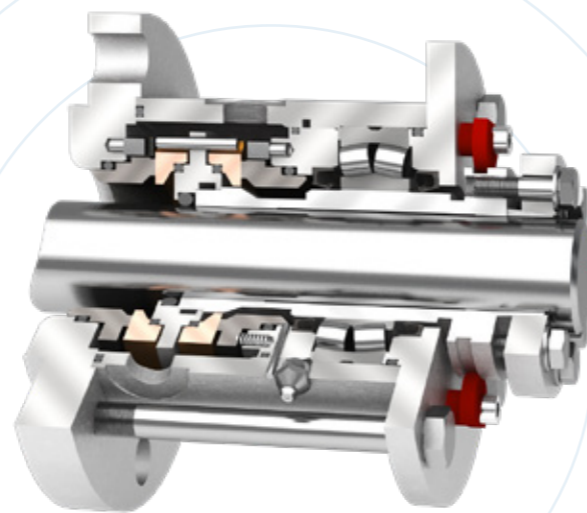
Dimensions

Shaft diameter: 40 – 220 mm
 Imperial and special sizes on request

Bill of materials

Item	Description	Material
1.1	Sleeve	1.4571
1.11	Gland inner ring	1.4571
1.12	Bearing housing	1.4571
1.12.1	Shrinking part of bearing housing	1.4571
1.13	Bearing cover	1.4571
1.2	Gland	1.4571
1.4	Adjusting ring	1.4571
1.7	Dynamic retainer	1.4571
2.1, 2.4	Dynamic seal face	SC/SSIC/TC
2.2, 2.3	Stationary seal face	CA/SC/SSIC/TC
4.6	Threaded pin	A4
5.1	Spring	2.4610
3.1, 3.2, 3.3 3.4, 3.5, 3.12 3.13, 3.14, 3.16	O-ring	FKM, EPDM, Kalrez®, PTFE,...
3.10	Flat gasket	Klingsil® C4300
3.30	Shaft seal	NBR
4.1	Centering piece	1.4571
4.10, 4.11	Hexagonal bolt	A2
4.15, 4.16	Washer	A2
4.20	Self-aligning roller bearing	
4.25	Conical grease nipple	A2
4.26	Plastic cap	PE-LD (LDPE)
4.3, 4.4	Socket screw	A2
4.6	Threaded pin	A4
5.1	Spring	2.4610

Other materials on request!



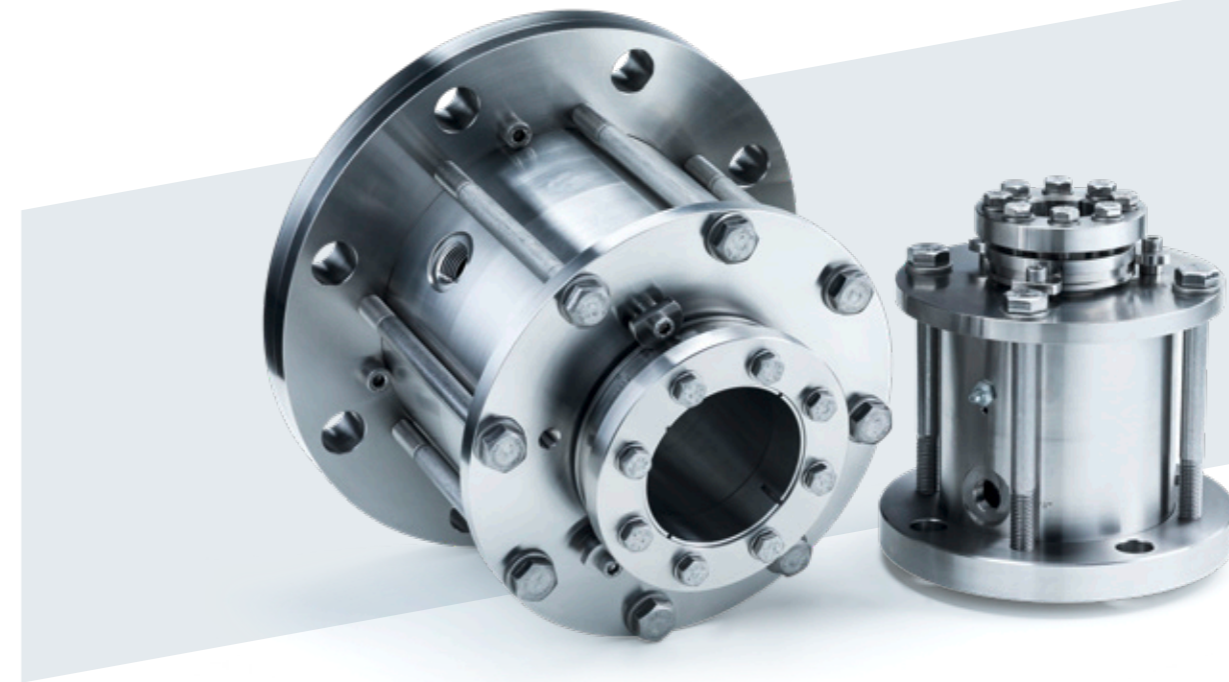
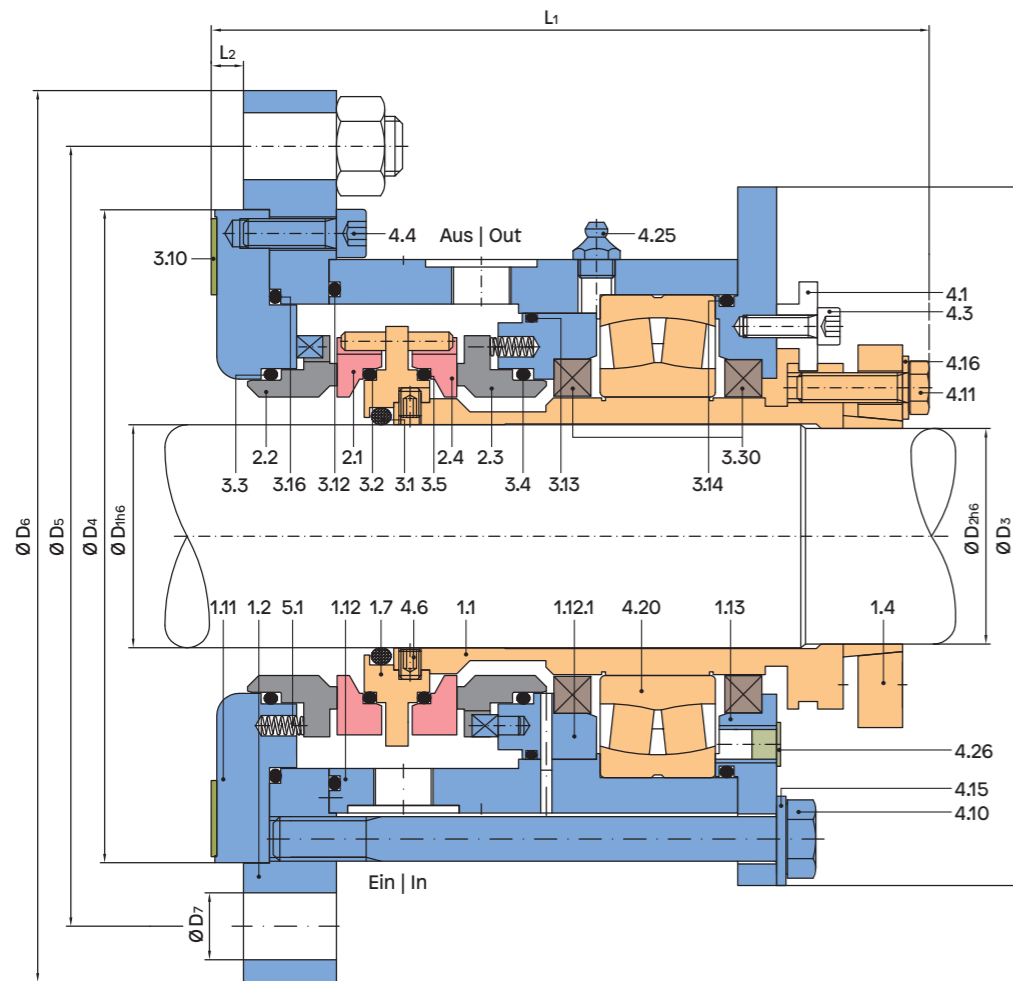
Dimension table Ø 40 mm

O-rings DASH no.																	
D1h6	D2h6	D3	D4	D5	D6	L1	L2	nx D7	Ein/Aus	3.1	3.2	3.3	3.4	3.5	3.12	3.13	3.14
40	38	160	110	145	177	187	8	4x18	G 3/8	326	230	230	230	230	243	153	239

Agitator seal Type 370



Agitator seal Type 371



The DEPAC mechanical seal type 371 is a stationary, single-action and cartridge-mounted agitator seal with integrated self-aligning roller bearing. The connection dimension of the mounting flange corresponds to DIN 28141; the sleeve of the mechanical seal corresponds to the shaft end of the DIN 28154. With regard to the dimensions, please note that the type 370 can be manufactured and supplied not only for the DIN dimensions named, but also for any other retainer and shaft size. This mechanical seal is part of a modular system and is also available as a double-action mechanical seal with integrated bearing (type 370), as a double-action mechanical seal without bearing (type 372) and as a single-action mechanical seal without bearing (type 373).

Dimension table Ø 50 – 220 mm

O-rings DASH no.																		
D1h6	D2h6	D3	D4	D5	D6	L1	L2	nx D7	Ein/Aus	3.1	3.2	3.3	3.4	3.5	3.12	3.13	3.14	3.16
50	48	178	176	210	240	195	8	8×18	G 3/8	329	233	233	233	233	247	155	246	247
60	58	188	176	210	240	197	8	8×18	G 3/8	332	236	236	236	236	250	157	249	250
80	78	217	204	240	280	220	8	8×22	G 1/2	339	244	244	244	244	258	161	259	258
100	98	234	234	270	310	214	8	8×22	G 1/2	345	251	251	251	251	261	165	261	261
125	120	266	260	295	335	255	8	8×22	G 1/2	353	258	258	258	258	266	169	266	266
140	135	300	313	350	390	275	8	12×22	G 1/2	358	364	364	364	364	372	267	373	372
160	150	310	313	350	390	290	8	12×22	G 1/2	363	367	367	367	367	375	270	375	375
180	170	340	364	400	440	295	8	12×22	G 1/2	366	371	371	371	371	378	274	378	378
200	190	360	364	400	440	300	8	12×22	G 1/2	369	374	374	374	374	379	275	380	379
220	210	380	422	460	500	315	8	16×22	G 1/2	372	377	377	377	377	381	277	381	381

Advantages

- Mounting flange connection dimension according to DIN 28141*
- Sleeve to fit shaft end according to DIN 28154*
- Shock and vibration-dampend mating rings
- Double pressure balanced
- Full pressure reversability
- Self-closing in case of pressure reversal
- Mirror-image face design
- Independent of the direction of rotation

* Other mounting flange dimensions | shaft shape available on request!

Agitator seal Type 371

Agitator seal Type 371

Technical specifications

Area of application*

Pressure: 700 mmHg bis 28 bar
 Temperature: Dependent on elastomer
 Sliding speed: up to 20 m/s

* The maximum specifications for temperature, pressure and sliding speed apply in each case to independent higher operating conditions. However, this does not mean that the seal will function with all extreme conditions at the same time. If in doubt contact DEPAC.

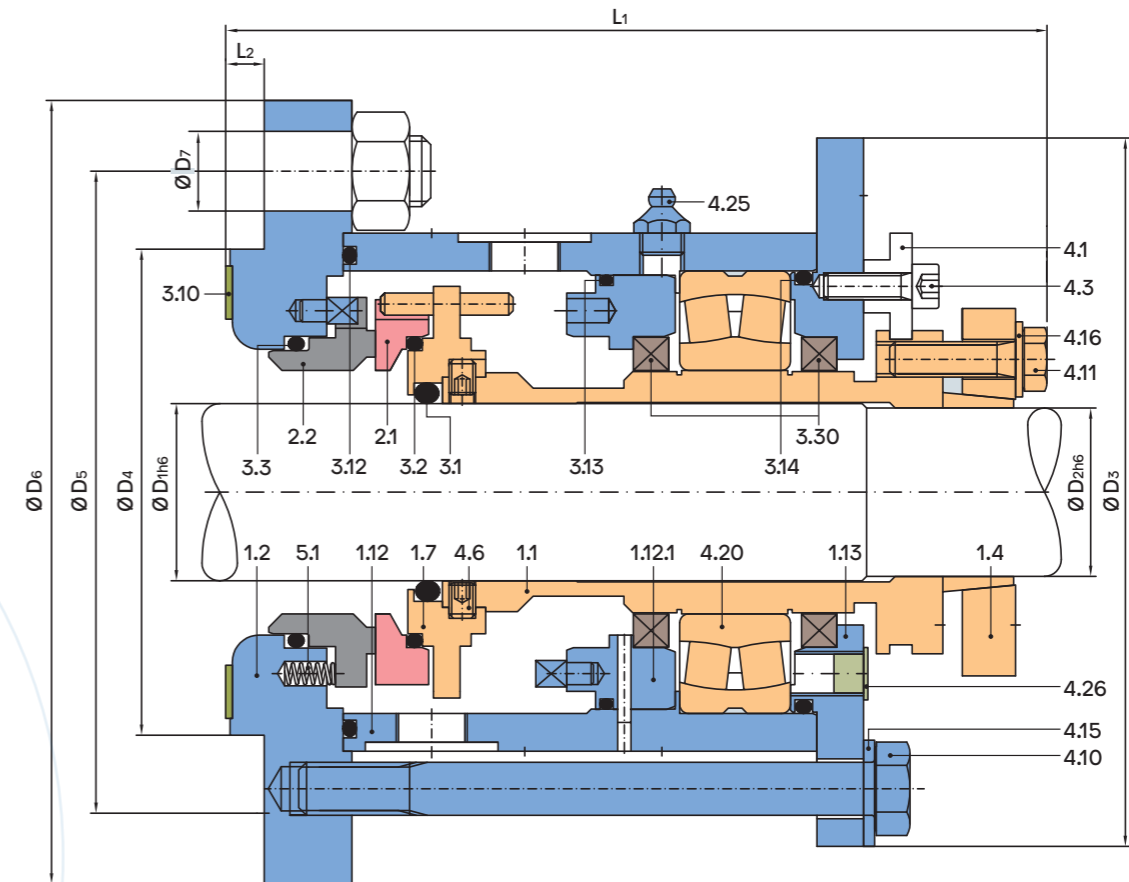
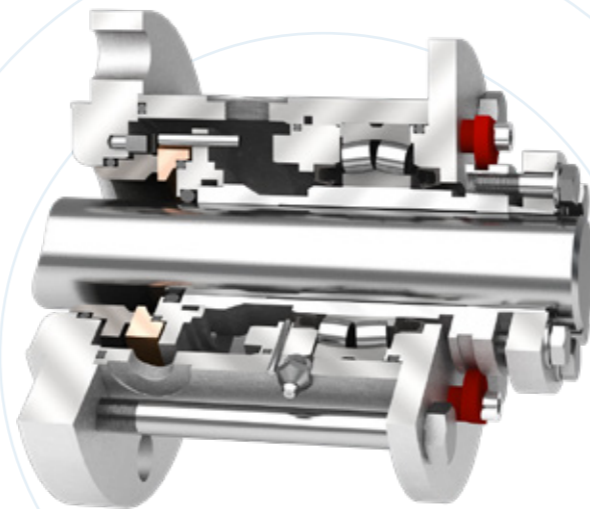
Dimensions

Shaft diameter: 40 – 220 mm
 Imperial and special sizes on request

Bill of materials

Item	Description	Material
1.1	Sleeve	1.4571
1.11	Gland inner ring	1.4571
1.15	Bearing cover	1.4571
1.16	Bearing housing	1.4571
1.2	Gland	1.4571
1.4	Adjusting ring	1.4571
1.7	Dynamic retainer	1.4571
2.1, 2.4	Dynamic seal face	SC/SSIC/TC
2.2, 2.3	Stationary seal face	CA/SC/SSIC/TC
3.1, 3.2, 3.3 3.4, 3.5, 3.12 3.14, 3.16	O-ring	FKM, EPDM, Kalrez®, PTFE,...
3.10	Flat gasket	Klingersil® C4300
4.1	Centering piece	1.4571
4.10, 4.11	Hexagonal bolt	A2
4.15, 4.16	Washer	A2
4.3, 4.4	Socket screw	A2
4.6	Threaded pin	A4
5.1	Spring	2.4610

Other materials on request!



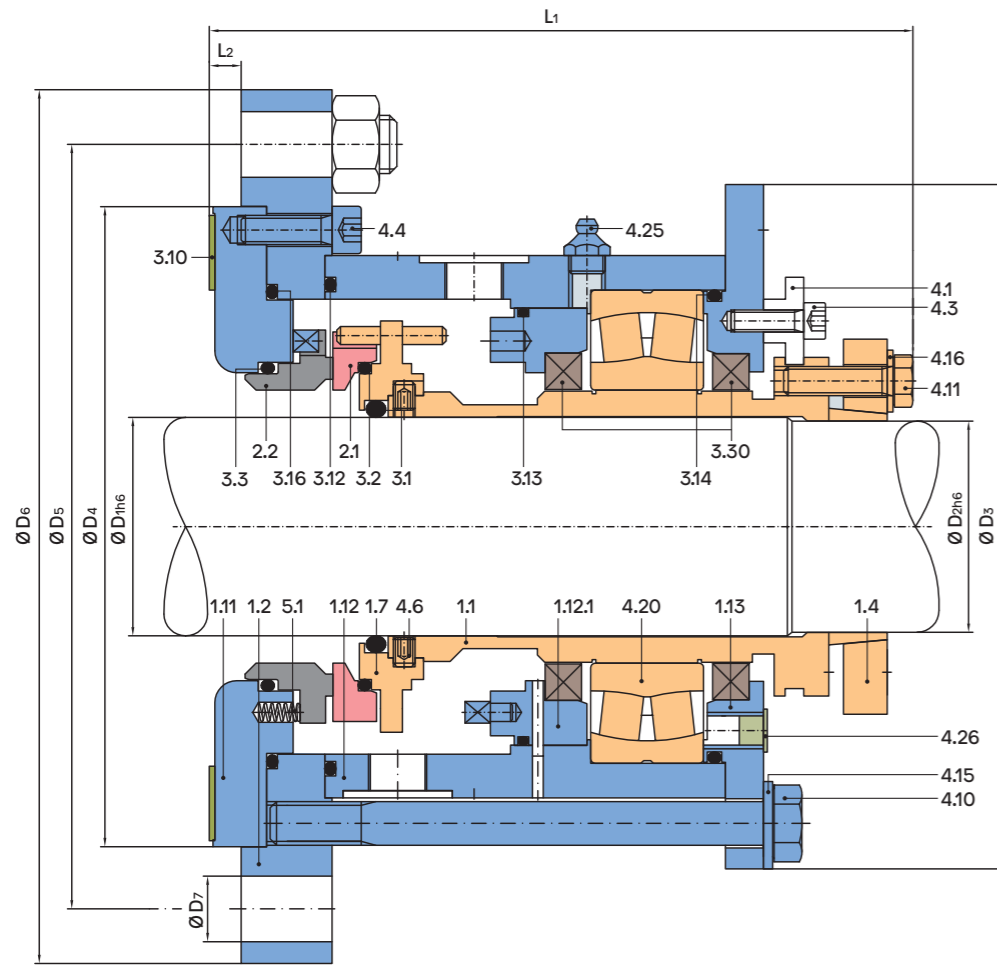
Dimension table Ø 40 mm

O-rings DASH no.														
D1h6	D2h6	D3	D4	D5	D6	L1	L2	nx D7	3.1	3.2	3.3	3.12	3.13	3.14
40	38	160	110	145	177	187	8	4x18	326	230	230	243	153	239

Agitator seal Type 371



Agitator seal Type 372



Dimension table Ø 50 – 220 mm

O-rings DASH no.															
D1h6	D2h6	D5	D4	D5	D6	L1	L2	nx D7	3.1	3.2	3.3	3.12	3.15	3.14	3.16
50	48	178	176	210	240	195	8	8×18	329	233	233	247	155	246	247
60	58	188	176	210	240	197	8	8×18	332	236	236	250	157	249	250
80	78	217	204	240	280	220	8	8×22	339	244	244	258	161	259	258
100	98	234	234	270	310	214	8	8×22	345	251	251	261	165	261	261
125	120	266	260	295	335	255	8	8×22	353	258	258	266	169	266	266
140	135	300	313	350	390	275	8	12×22	358	364	364	372	267	373	372
160	150	310	313	350	390	290	8	12×22	363	367	367	375	270	375	375
180	170	340	364	400	440	295	8	12×22	366	371	371	378	274	378	378
200	190	360	364	400	440	300	8	12×22	369	374	374	379	275	380	379
220	210	380	422	460	500	315	8	16×22	372	377	377	381	277	381	381

The DEPAC mechanical seal type 372 is a stationary, double-action and cartridge-mounted agitator seal. The connection dimension of the mounting flange corresponds to DIN 28141; the sleeve of the mechanical seal corresponds to the shaft end of the DIN 28154. With regard to the dimensions, please note that the type 372 can be manufactured and supplied not only for the DIN dimensions named, but also for any other retainer and shaft size. This mechanical seal is part of a modular system and is also available as a double-action mechanical seal with integrated self-aligning roller bearing (type 370), as a single-action mechanical seal with integrated self-aligning roller bearing (type 371) and as a single-action mechanical seal without bearing (type 373).

Advantages

- Mounting flange connection dimension according to DIN 28141*
- Sleeve to fit shaft end according to DIN 28154*
- Shock and vibration-dampend mating rings
- Double pressure balanced
- Full pressure reversability
- Self-closing in case of pressure reversal
- Mirror-image face design
- Independent of the direction of rotation

* Other mounting flange dimensions | shaft shape available on request!

Agitator seal Type 372

Agitator seal Type 372

Technical specifications

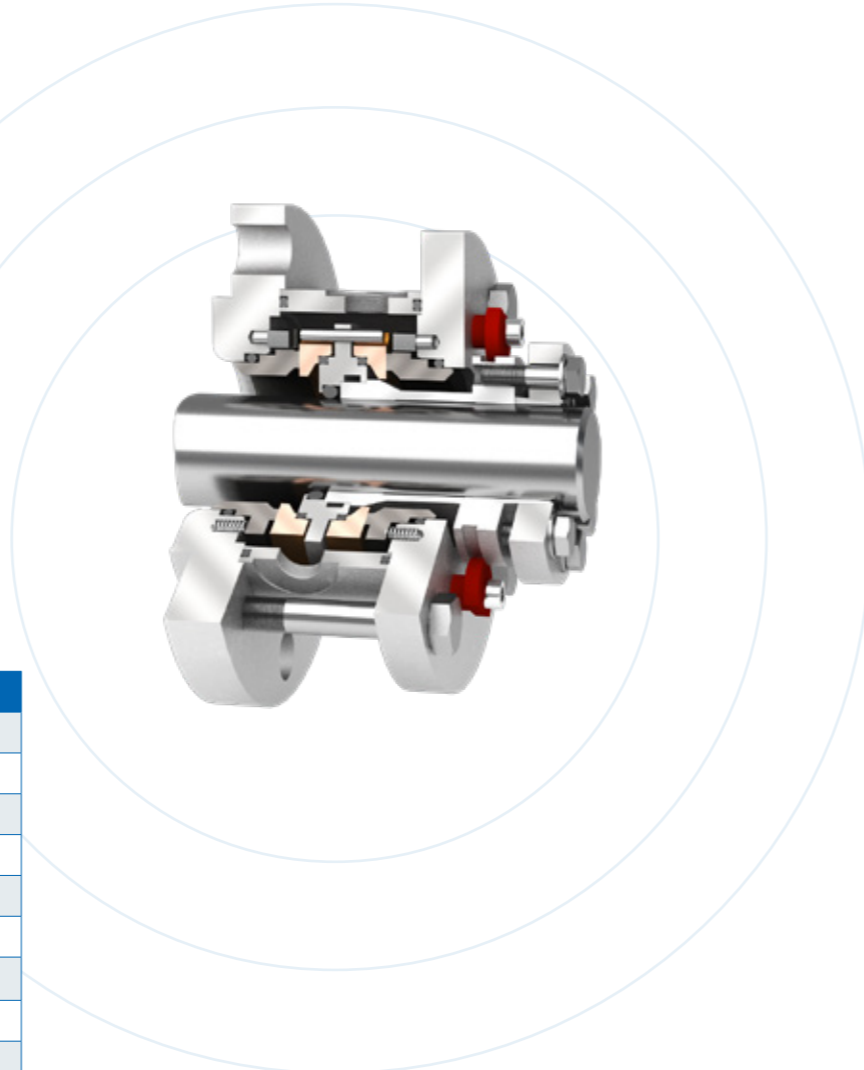
Area of application*

Pressure: 700 mmHg bis 28 bar
 Temperature: Dependent on elastomer
 Sliding speed: up to 20 m/s

* The maximum specifications for temperature, pressure and sliding speed apply in each case to independent higher operating conditions. However, this does not mean that the seal will function with all extreme conditions at the same time. If in doubt contact DEPAC.

Dimensions

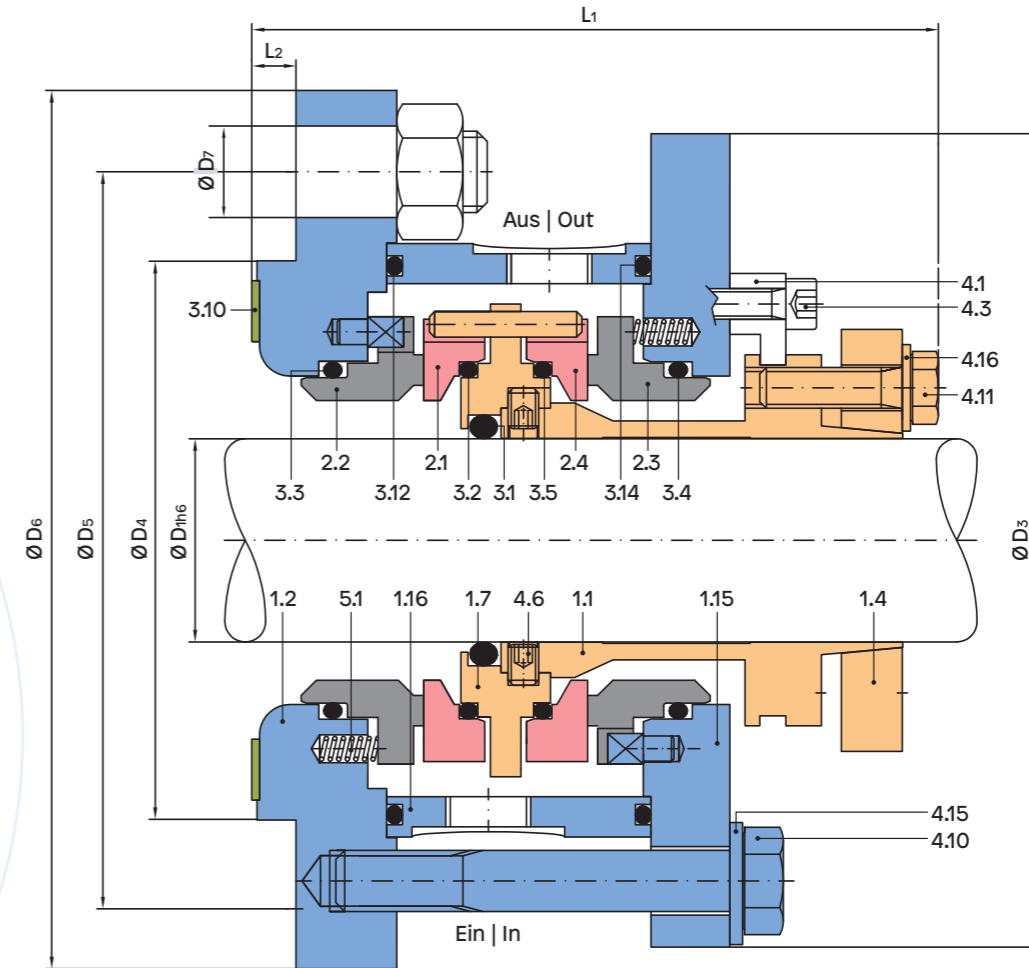
Shaft diameter: 40 – 220 mm
 Imperial and special sizes on request



Bill of materials

Item	Description	Material
1.1	Sleeve	1.4571
1.11	Gland inner ring	1.4571
1.15	Bearing cover	1.4571
1.16	Bearing housing	1.4571
1.2	Gland	1.4571
1.4	Adjusting ring	1.4571
1.7	Dynamic retainer	1.4571
2.1, 2.4	Dynamic seal face	SC/SSIC/TC
2.2, 2.3	Stationary seal face	CA/SC/SSIC/TC
3.1, 3.2, 3.3 3.4, 3.5, 3.12 3.14, 3.16	O-ring	FKM, EPDM, Kalrez®, PTFE,...
3.10	Flat gasket	Klingersil® C4300
4.1	Centering piece	1.4571
4.10, 4.11	Hexagonal bolt	A2
4.15, 4.16	Washer	A2
4.3, 4.4	Socket screw	A2
4.6	Threaded pin	A4
5.1	Spring	2.4610

* Other mounting flange dimensions | shaft shape available on request!



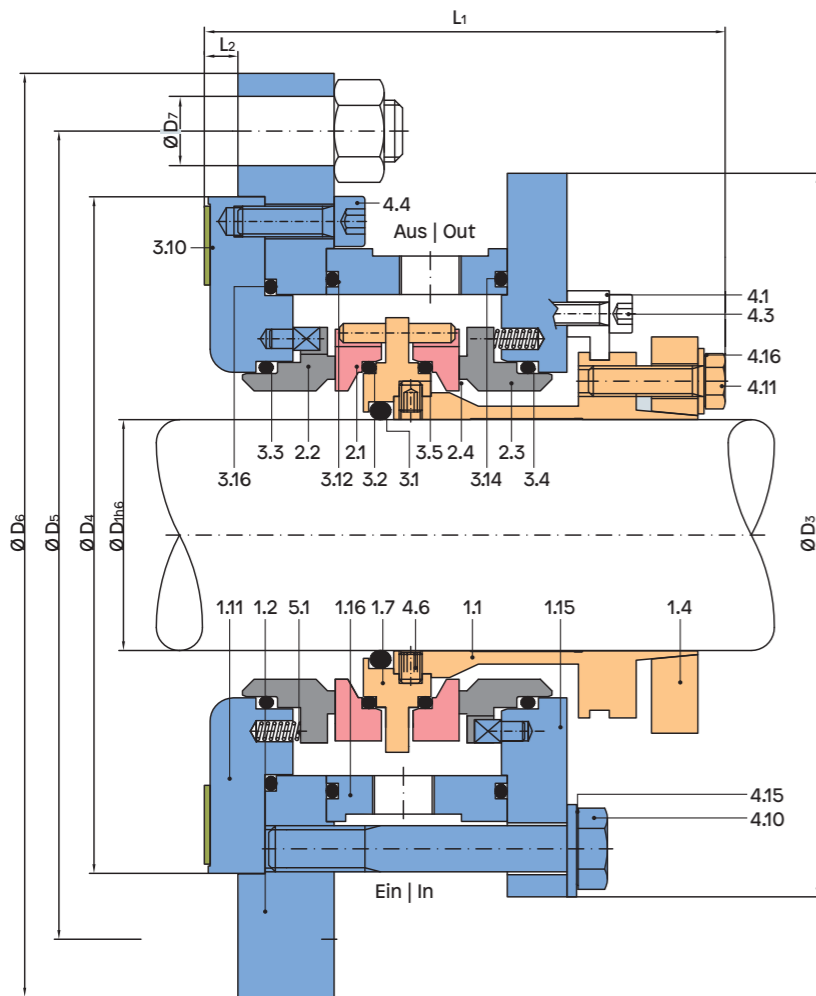
Dimension table Ø 40 mm

O-rings DASH no.															
D1h6	D3	D4	D5	D6	L1	L2	nx D7	Ein/Aus	3.1	3.2	3.3	3.4	3.5	3.12	3.14
40	110	145	177	160	135	8	4x18	G 3/8	326	230	230	230	250	243	243

Agitator seal Type 372



Agitator seal Type 373



The DEPAC mechanical seal type 373 is a stationary, single-action and cartridge-mounted agitator seal. The connection dimension of the mounting flange corresponds to DIN 28141; the sleeve of the mechanical seal corresponds to the shaft end of the DIN 28154. With regard to the dimensions, please note that the type 373 can be manufactured and supplied not only for the DIN dimensions named, but also for any other retainer and shaft size. This mechanical seal is part of a modular system and is also available as a double-action mechanical seal with integrated self-aligning roller bearing (type 370), as a single-action mechanical seal with integrated self-aligning roller bearing (type 371) and as a double-action mechanical seal without bearing (type 372).

Dimension table Ø 50 – 220 mm

D1h6	D3	D4	D5	D6	L1	L2	nx D7	Ein/Aus	O-rings DASH no.							
									3.1	3.2	3.3	3.4	3.5	3.12	3.14	3.16
50	178	176	210	240	135	8	8×18	G 3/8	329	233	233	233	233	247	247	247
60	188	176	210	240	135	8	8×18	G 3/8	332	236	236	236	236	251	251	251
80	217	204	240	280	135	8	8×22	G 1/2	339	244	244	244	244	258	258	258
100	234	234	270	310	135	8	8×22	G 1/2	345	250	250	250	250	261	261	261
125	266	260	295	335	135	8	8×22	G 1/2	353	258	258	258	258	266	266	266
140	300	313	350	390	150	8	12×22	G 1/2	358	364	364	364	364	373	373	372
160	310	313	350	390	150	8	12×22	G 1/2	363	367	367	367	367	376	376	375
180	340	364	400	440	150	8	12×22	G 1/2	366	371	371	371	371	378	378	378
200	360	364	400	440	150	8	12×22	G 1/2	369	374	374	374	374	379	379	379
220	380	422	460	500	150	8	16×22	G 1/2	372	377	377	377	377	381	381	380

Advantages

- Mounting flange connection dimension according to DIN 28141*
- Sleeve to fit shaft end according to DIN 28154*
- Shock and vibration-dampend mating rings
- Double pressure balanced
- Full pressure reversability
- Self-closing in case of pressure reversal
- Mirror-image face design
- Independent of the direction of rotation

* Other mounting flange dimensions | shaft shape available on request!

Agitator seal Type 373

Agitator seal Type 372

Technical specifications

Area of application*

Pressure: 700 mmHg bis 28 bar
 Temperature: Dependent on elastomer
 Sliding speed: up to 20 m/s

* The maximum specifications for temperature, pressure and sliding speed apply in each case to independent higher operating conditions. However, this does not mean that the seal will function with all extreme conditions at the same time. If in doubt contact DEPAC.

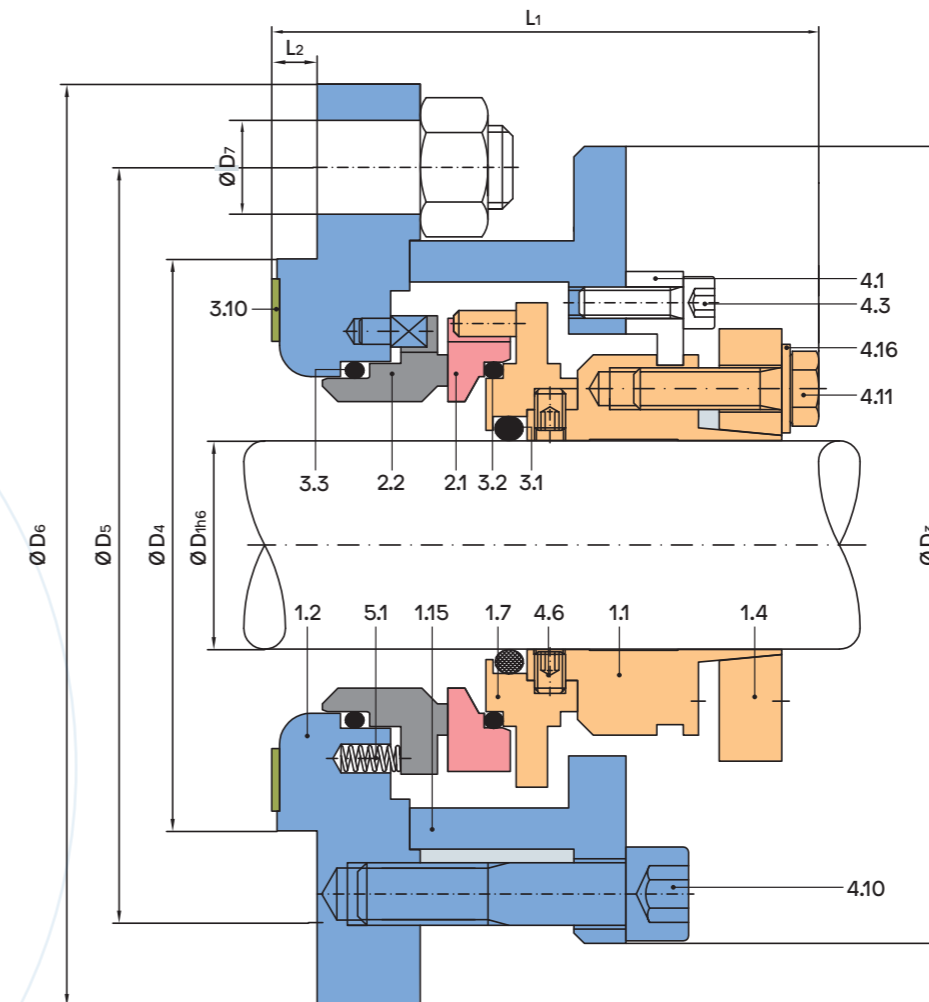
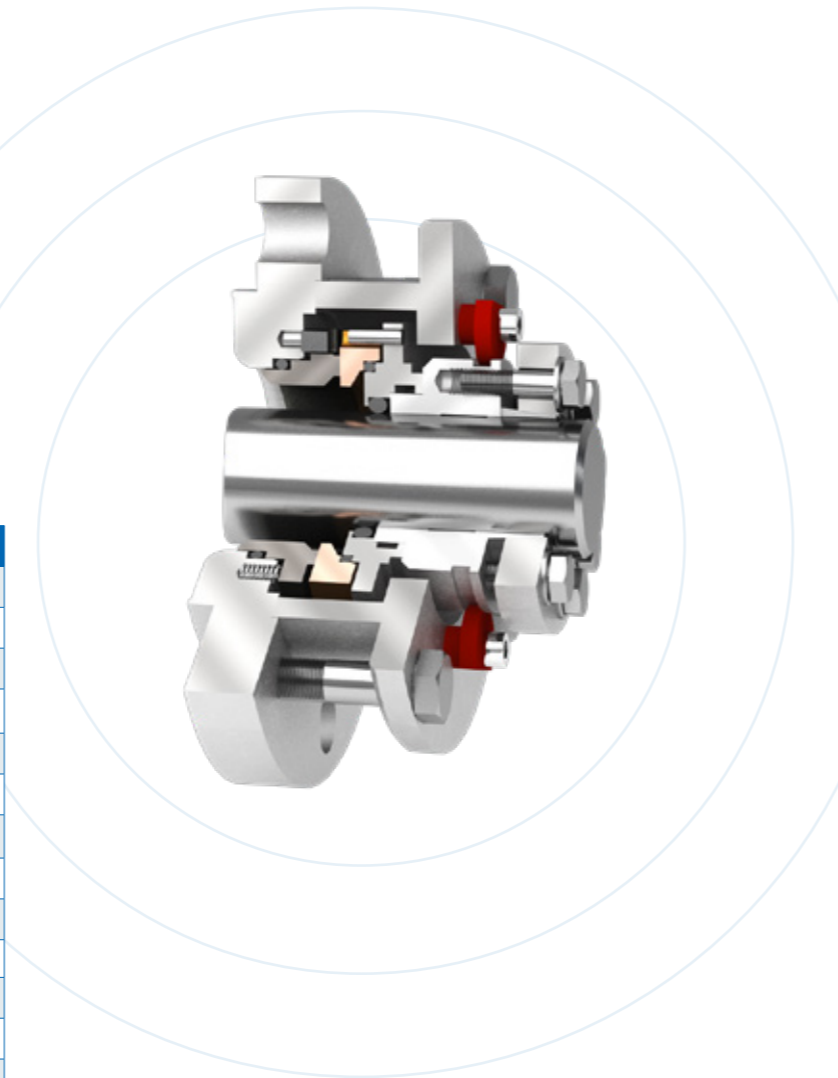
Dimensions

Shaft diameter: 40 – 220 mm
 Imperial and special sizes on request

Bill of materials

Item	Description	Material
1.1	Sleeve	1.4571
1.11	Gland inner ring	1.4571
1.15	Cover	1.4571
1.2	Gland	1.4571
1.4	Adjusting ring	1.4571
1.7	Dynamic retainer	1.4571
2.1	Dynamic seal face	SC/SSIC/TC
2.2	Stationary seal face	CA/SC/SSIC/TC
3.1, 3.2, 3.3	O-ring	FKM, EPDM, Kalrez®, PTFE,...
3.10	Flat gasket	Klingsil® C4300
4.1	Centering piece	1.4571
4.10, 4.11	Hexagonal bolt	A2
4.16	Washer	A2
4.3, 4.4	Socket screw	A2
4.6	Threaded pin	A4
5.1	Spring	2.4610

Other materials on request!



Dimension table Ø 40 mm

D1h6	D3	D4	D5	D6	L1	L2	nx D7	O-rings DASH no.		
								3.1	3.2	3.3
40	160	110	145	177	105	8,5	4x18	326	230	230



Mechanical seals
Packings
Hydraulic seals
Workshop
Comtec

DEPAC Anstalt
Wirtschaftspark 44, FL-9492 Eschen
T +423 373 9700, F +423 373 9719
office@depac-fl.com, www.depac.at

Your authorized DEPAC dealer:

E200836